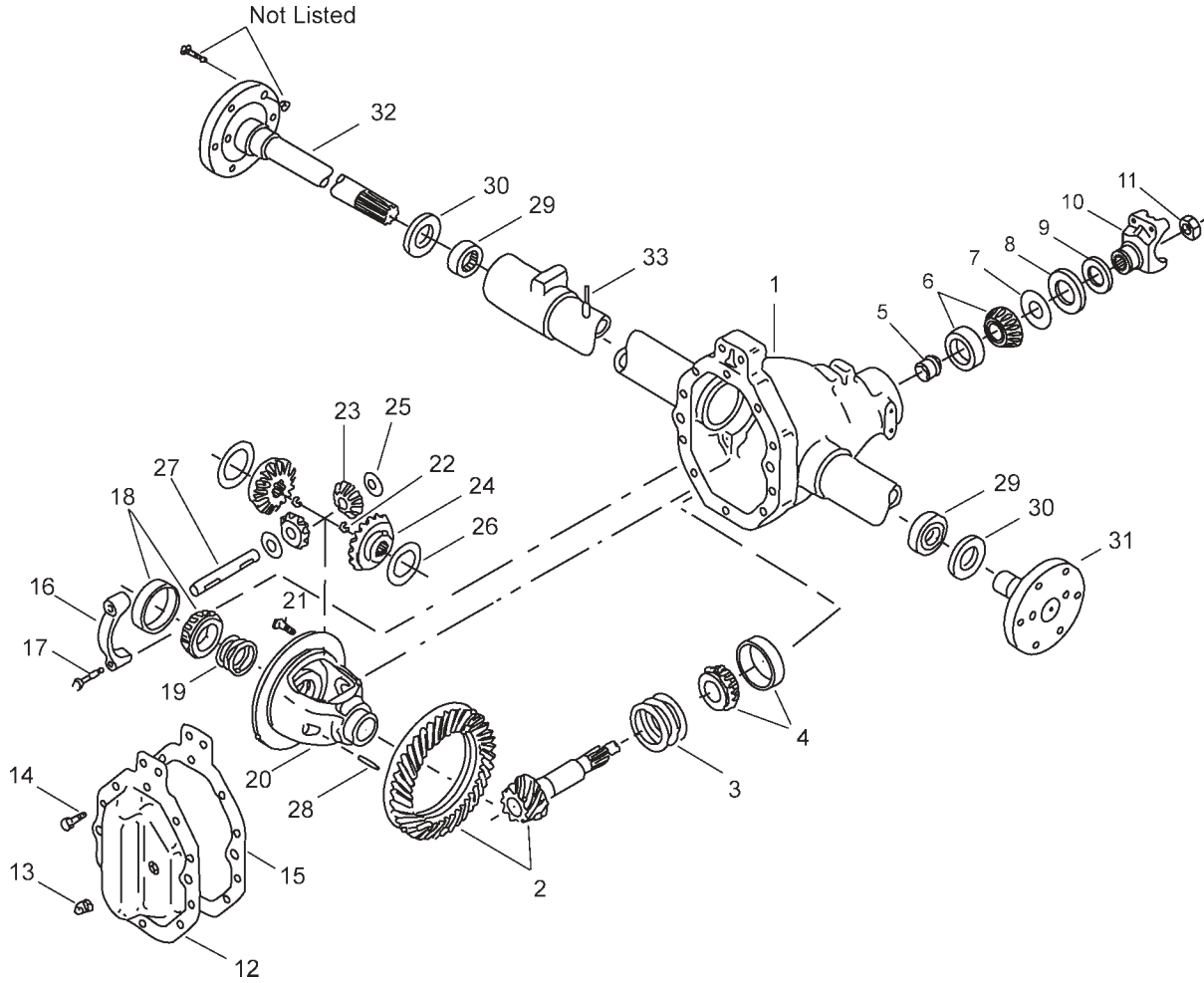


Dodge / Chrysler 1997-1999

Model 35 /194 IFS Front Axles for

Dakota
Durango

Dodge Model 35 /194 IFS Front Axles Exploded View



Dodge Model 35 /194 IFS Front Axles Parts Listing

ITEM NO.	PART NUMBER	DESCRIPTION	ITEM NO.	PART NUMBER	DESCRIPTION
1	— ⁽³⁾	Housing – Axle Service	17	40284-1	Bolt – Differential Bearing Cap
2	— ⁽¹⁾	Drive Pinion & Gear Assembly	18	706016X	KIT – Differential Bearing
3	701130X	PKG – Inner Pinion Shim	19	701004X	PKG – Differential Bearing Shim
4	707162X	KIT – Inner Pinion Bearing	20	— ⁽¹⁾	Case – Differential
5	42102	Collapsible Spacer	21	41221	Bolt – Drive Gear (qty 10)
6	706894X	KIT – Outer Pinion Bearing	22	42570	Snap Ring
7	42778	Slinger – Outer Pinion Bearing	23	46504	Pinion – Differential
8	48009	Seal – Pinion Oil	24	47559	Gear – Differential
9	48008	Seal – End Yoke	25	34096	Thrustwasher – Differential Pinion
10	2-4-8131-1	End Yoke	26	34095	Thrustwasher – Differential Gear
11	44189	Pinion Nut	27	41648	Shaft – Differential Pinion
	707438X	KIT – Carrier Cover	28	13449	Lock – Differential Shaft
12	— ⁽⁴⁾	Carrier Cover	29	565977	Bearing
13	41356	Plug – Carrier Cover	30	46485	Oil Seal
14	40286-5	Bolt – Carrier Cover (qty 10)	31	47067	Shaft – Axle (LH)
15	38615	RTV Silicone Sealant	32	47065	Shaft – Axle (RH)
16	— ⁽³⁾	Differential Bearing Cap	33	41962	Vent – Axle Shaft (RH)

(1) See "Bill of Material Table" Below

(3) Contact Vehicle Manufacturer

(4) Not Sold Separately

Bill of Material Table

Axle			Axle Kits				Shaft & Joint Assy.	
Bill of Material	Diff. Type	Ratio	Ring Gear & Pinion Kit ⁽⁷⁾	Differential			Right Hand Shaft Assy.	Left Hand Shaft Assy.
				Case Assy. Kit ⁽⁸⁾	Case Kit	Inner Parts Kit		
1997-99 DAKOTA								
610576-1	Standard	3.21	75812-5X	75935X	47071	707436X	—	—
610576-2	Standard	3.55	74346-5X	75934X	47069	707436X	—	—
610576-3	Standard	3.92	75813-5X	75934X	47069	707436X	—	—
1997-99 DURANGO								
610576-4	Standard	3.21	75812-5X	75935X	47071	707436X	—	—
610576-5	Standard	3.55	74346-5X	75934X	47069	707436X	—	—
610576-6	Standard	3.92	75813-5X	75934X	47069	707436X	—	—

(7) See Ring Gear & Pinion Kits in XGI Catalog for ratio & tooth combinations.

(8) See Differential Case Assy Kits in XGI Catalog for spline data & ratios.