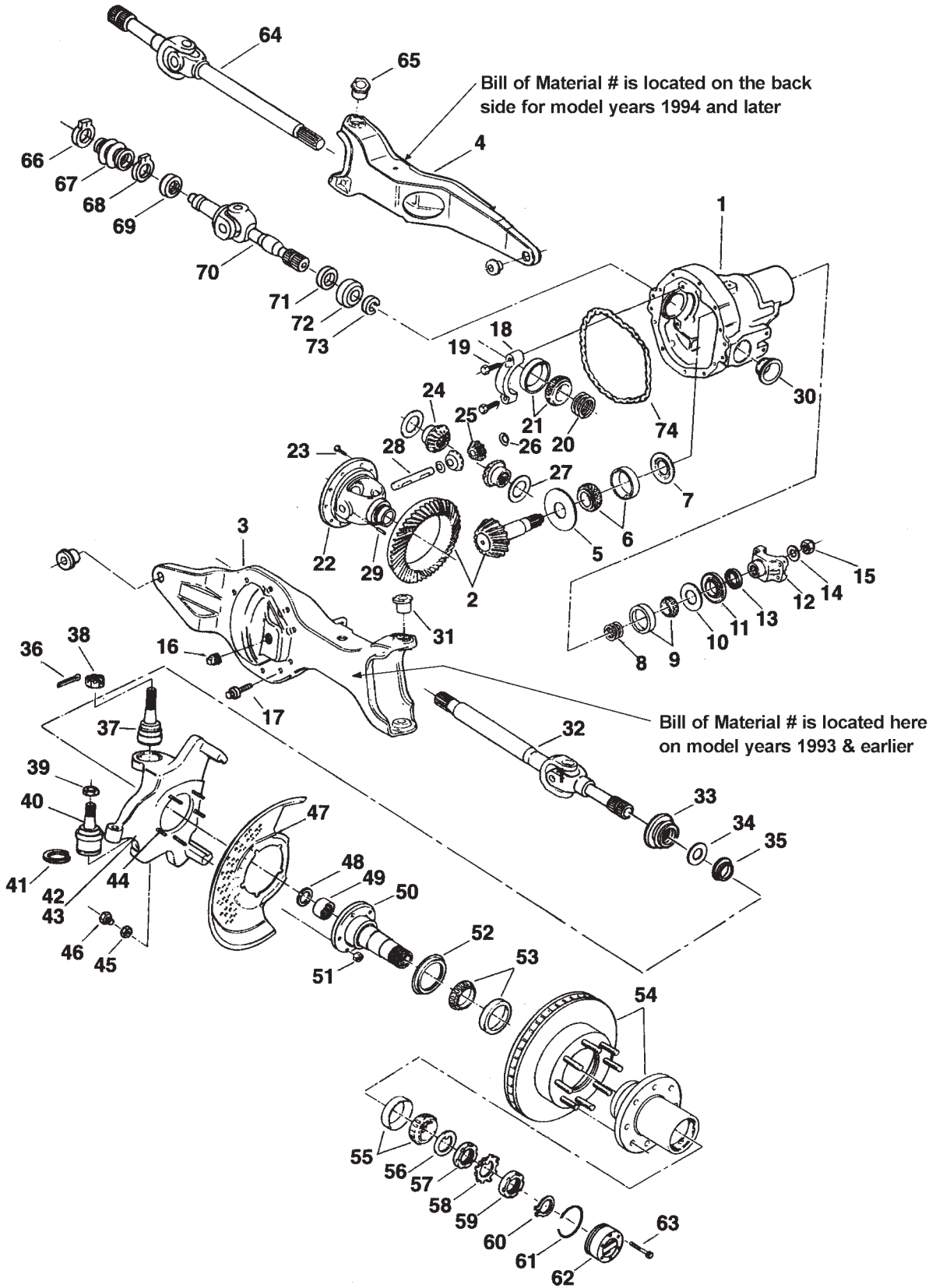


Ford 1980-1998

Model 50 /229 IFS Front Axles for

F-250, F-350

Ford Model 50 /229 IFS Front Axles Exploded View



Ford Model 50 /229 IFS Front Axles

Parts Listing

ITEM NO.	PART NUMBER	DESCRIPTION	ITEM NO.	PART NUMBER	DESCRIPTION
1	— ⁽³⁾	Housing – Axle Service	39	35566	Nut – Lower
2	— ⁽¹⁾	Drive Pinion & Gear Assembly	40	47183	Socket – Lower
3	— ⁽³⁾	LH Support Arm Assembly	41	620343	Snap Ring
4	— ⁽³⁾	RH Support Arm Assembly	42	— ⁽³⁾	Right Knuckle
5	— ⁽²⁾	Slinger Shim – Inner Pinion Bearing	43	— ⁽³⁾	Left Knuckle
	707237X	PKG – Pinion Bearing Shim (inc items 8, 13, 14, 72)	44	37759-1	Bolt – Hex
	707235X	PKG – Diff & Pinion Bearing Shim (inc items 8, 13, 14, 19, 72)	45	— ⁽²⁾	Nut
			46	— ⁽²⁾	Stop Screw
			47	— ⁽³⁾	Dust Shield
6	706015X	KIT – Inner Pinion Bearing	48	— ⁽²⁾	Seal – Needle Bearing
7	32349	Baffle – Pinion Bearing	49	620063	Needle Bearing – Spindle
8	— ⁽⁴⁾	Outer Pinion Adj Shims (see shim packages)	50	620370	Spindle
				— ⁽²⁾	KIT – Spindle Seal & Bearing (inc items 34, 35, 48, 49)
9	706030X	KIT – Outer Pinion Bearing			
10	13575	Slinger – Outer Pinion Bearing	51	36805	Lock Nut (qty 10)
11	40793	Seal – Pinion Oil	52	— ⁽²⁾	Seal – Grease
12	2-4-6111X	End Yoke Assembly (inc 13)	53	706411X	KIT – Inner Wheel Bearing
13	41498	Slinger – End Yoke	54	— ⁽³⁾	Hub & Rotor
14	30186	Washer – Pinion Nut	55	706074X	KIT – Outer Wheel Bearing
15	30185	Pinion Nut	56	— ⁽²⁾	Thrustwasher – Wheel Bearing
16	36472	Plug – Oil Fill	57	— ⁽²⁾	Spindle Nut or Nut & Pin Assembly
17	620631	Bolt – Carrier	58	— ⁽²⁾	Lockwasher
18	— ⁽³⁾	Differential Bearing Cap	59	— ⁽²⁾	Spindle Nut
19	48632-1	Screw – Differential Bearing Cap	60	620142	Snap Ring
20	706914X	PKG – Diff Bearing Shim (inc 72)	61	620097	Snap Ring
21	700097	KIT – Differential Bearing		— ⁽³⁾	PKG – Thrustwasher (auto hub lock)
22	— ⁽⁴⁾	Case – Differential	62	— ⁽³⁾	Hub Lock
23	45784	Bolt – Drive Gear	63	45886	Bolt – Manual Hub Lock
24	40432	Gear – Differential	64	— ⁽¹⁾	Shaft & Joint Assembly (RH)
25	620436	Pinion – Differential	65	— ⁽⁵⁾	Camber Adjustor
26	620439	Thrustwasher – Differential Pinion	66	40540-4	Clamp – Keystone
27	50718	Thrustwasher – Differential Gear	67	40929	Rubber Boot
28	620414	Shaft – Differential	68	40540-3	Clamp – Keystone
29	44810	Lock – Differential Shaft	69	40930	Oil Seal
30	40710	Oil Seal	70	— ⁽¹⁾	Shaft & Slip Yoke Assembly
31	— ⁽⁵⁾	Camber Adjustor (LH)		— ⁽²⁾	KIT – Unit Bearing & Seal
32	— ⁽¹⁾	Shaft & Joint Assembly (LH)			(inc items 71, 72)
33	— ⁽²⁾	Slinger	71	— ⁽²⁾	Oil Seal
34	— ⁽²⁾	Oil Seal	72	— ⁽²⁾	Bearing
35	— ⁽²⁾	Spacer – Wheel Bearing Spindle	73	42570	Snap Ring
	700103-1X	KIT – Socket Assembly (inc items 36, 37, 38, 39, 40, 41)	74	38615	RTV Silicone Sealant
					The following parts were used in vehicles from 1982 and earlier.
36	500024-8	Cotter Pin			Retainer – Bearing Ring
37	47184	Socket – Upper	N.I.	— ⁽²⁾	Retainer – Oil Seal
38	44101	Nut – Upper	N.I.	— ⁽²⁾	

N.I. = Not Illustrated

(1) See "Bill of Material Table" on next page

(2) See "Variable Parts Table" within this section

(3) Contact Vehicle Manufacturer

(4) Not Sold Separately

(5) See Camber/Casting Bushing Table at the back of the Ford section of this catalog

Ford Model 50 /229 IFS Front Axles

Bill of Material Table

Axle			Axle Kits				Shaft & Joint Assy.		
Bill of Material	Diff. Type	Ratio	Ring Gear & Pinion Kit ⁽⁷⁾	Differential			Right Hand Shaft Assy.	Left Hand Shaft Assy.	Shaft & Slip Yoke Assy.
				Case Assy. Kit ⁽⁸⁾	Case Kit	Inner Parts Kit			
1980 F-350									
610064-1	Standard	3.54	707239-1X	707459X	706917X	706916X	74445-1X	74446-1X	660232-1
610064-2	Standard	4.10	707239-2X	707459X	706917X	706916X	74445-1X	74446-1X	660232-1
610064-3	Standard	3.54	707239-1X	707459X	706917X	706916X	74445-1X	74446-1X	660232-1
1981-82 F-250 & F-350 (Snow Fighter)									
610147-1	Standard	3.54	707239-1X	707459X	706917X	706916X	74445-1X	74446-1X	660232-1
610147-2	Standard	4.10	707239-2X	707459X	706917X	706916X	74445-1X	74446-1X	660232-1
610147-3	Standard	3.54	707239-1X	707459X	706917X	706916X	74445-1X	74446-1X	660232-1
610147-4	Standard	3.54	707239-1X	707459X	706917X	706916X	74445-1X	74446-1X	660232-1
1983 F-250									
610170-1	Standard	4.10	707239-2X	707459X	706917X	706916X	74445-1X	74446-1X	71738-1X
610170-2	Standard	3.54	707239-1X	707459X	706917X	706916X	74445-1X	74446-1X	71738-1X
610170-3	Standard	3.54	707239-1X	707459X	706917X	706916X	74445-1X	74446-1X	71738-1X
1984 F-250 & F-350 (Snow Fighter)									
610180-1	Standard	3.54	707239-1X	707459X	706917X	706916X	74445-1X	74446-1X	72043-1X
610180-2	Standard	4.10	707239-2X	707459X	706917X	706916X	74445-1X	74446-1X	72043-1X
610180-3	Standard	3.54	707239-1X	707459X	706917X	706916X	74445-1X	74446-1X	72043-1X
1984 1/2 F-250 & F-350 (Snow Fighter)									
610200-1	Standard	3.54	707239-1X	707459X	706917X	706916X	74445-1X	74446-1X	72043-1X
610200-2	Standard	4.10	707239-2X	707459X	706917X	706916X	74445-1X	74446-1X	72043-1X
610200-3	Standard	3.54	707239-1X	707459X	706917X	706916X	74445-1X	74446-1X	72043-1X
610200-4	Standard	4.10	707239-2X	707459X	706917X	706916X	74445-1X	74446-1X	72043-1X
1985 F-250 & F-350 (Snow Fighter)									
610230-1	Standard	3.54	707239-1X	707459X	706917X	706916X	74445-1X	74446-1X	72043-1X
610230-2	Standard	4.10	707239-2X	707459X	706917X	706916X	74445-1X	74446-1X	72043-1X
610230-3	Standard	3.54	707239-1X	707459X	706917X	706916X	74445-1X	74446-1X	72043-1X
610230-4	Standard	4.10	707239-2X	707459X	706917X	706916X	74445-1X	74446-1X	72043-1X
1985 1/2 F-350									
610232-1	Standard	3.54	707239-1X	707459X	706917X	706916X	74445-1X	74446-1X	72043-1X
610232-2	Standard	4.10	707239-2X	707459X	706917X	706916X	74445-1X	74446-1X	72043-1X
610232-3	Standard	3.54	707239-1X	707459X	706917X	706916X	74445-1X	74446-1X	72043-1X
610232-4	Standard	4.10	707239-2X	707459X	706917X	706916X	74445-1X	74446-1X	72043-1X
1986-87 F-250 & F-350 (Snow Fighter)									
610254-1	Standard	3.54	707239-1X	707459X	706917X	706916X	74445-1X	74446-1X	72043-1X
610254-2	Standard	4.10	707239-2X	707459X	706917X	706916X	74445-1X	74446-1X	72043-1X
610254-3	Standard	3.54	707239-1X	707459X	706917X	706916X	74445-1X	74446-1X	72043-1X
610254-4	Standard	4.10	707239-2X	707459X	706917X	706916X	74445-1X	74446-1X	72043-1X
1988-88 1/2 F-250 & F-350 (Snow Fighter)									
610304-1	Standard	3.54	707239-1X	707459X	706917X	706916X	74445-1X	74446-1X	72043-1X
610304-2	Standard	4.10	707239-2X	707459X	706917X	706916X	74445-1X	74446-1X	72043-1X
1989-92 1/2 F-250 & F-350 (Snow Fighter)									
610312-3	Standard	3.54	707239-1X	707459X	706917X	706916X	74445-1X	74446-1X	72043-1X
610312-4	Standard	4.10	707239-2X	707459X	706917X	706916X	74445-1X	74446-1X	72043-1X
1993-94 F-250 & F-350 (Snow Fighter)									
610439-1	Standard	3.54	707239-1X	707459X	706917X	706916X	74934-1X	74935-1X	72043-1X
610439-2	Standard	4.10	707239-2X	707459X	706917X	706916X	74934-1X	74935-1X	72043-1X
610439-3	Standard	3.54	707239-1X	707459X	706917X	706916X	74934-1X	74935-1X	72043-1X
610439-4	Standard	4.10	707239-2X	707459X	706917X	706916X	74934-1X	74935-1X	72043-1X

(7) See Ring Gear & Pinion Kits in XGI Catalog for ratio & tooth combinations.

(8) See Differential Case Assy Kits in XGI Catalog for spline data & ratios.

Ford Model 50 /229 IFS Front Axles Bill of Material Table

Axle			Axle Kits				Shaft & Joint Assy.		
Bill of Material	Diff. Type	Ratio	Ring Gear & Pinion Kit ⁽⁷⁾	Differential			Right Hand Shaft Assy.	Left Hand Shaft Assy.	Shaft & Slip Yoke Assy.
				Case Assy. Kit ⁽⁸⁾	Case Kit	Inner Parts Kit			
1995 F-250 & F-350 (Snow Fighter)									
610459-1	Standard	3.54	707239-1X	707459X	706917X	706916X	74934-1X	74935-1X	72043-1X
610459-2	Standard	4.10	707239-2X	707459X	706917X	706916X	74934-1X	74935-1X	72043-1X
610459-3	Standard	3.54	707239-1X	707459X	706917X	706916X	74934-1X	74935-1X	72043-1X
610459-4	Standard	4.10	707239-2X	707459X	706917X	706916X	74934-1X	74935-1X	72043-1X
610459-5	Standard	3.54	707239-1X	707459X	706917X	706916X	74934-1X	74935-1X	72043-1X
610459-6	Standard	4.10	707239-2X	707459X	706917X	706916X	74934-1X	74935-1X	72043-1X
610459-7	Standard	3.54	707239-1X	707459X	706917X	706916X	74934-1X	74935-1X	72043-1X
610459-8	Standard	4.10	707239-2X	707459X	706917X	706916X	74934-1X	74935-1X	72043-1X
1996 1/2-97 F-250 & F-350 (Snow Fighter)									
610609-1	Standard	3.54	707239-1X	707459X	706917X	706916X	74934-1X	74935-1X	72043-1X
610609-2	Standard	4.10	707239-2X	707459X	706917X	706916X	74934-1X	74935-1X	72043-1X
610609-3	Standard	3.54	707239-1X	707459X	706917X	706916X	74934-1X	74935-1X	72043-1X
610609-4	Standard	4.10	707239-2X	707459X	706917X	706916X	74934-1X	74935-1X	72043-1X
1997 1/2-98 F-250 & F-350 (Snow Fighter)									
610740-1	Standard	3.54	707239-1X	707459X	706917X	706916X	74934-1X	74935-1X	72043-1X
610740-2	Standard	4.10	707239-2X	707459X	706917X	706916X	74934-1X	74935-1X	72043-1X
610740-3	Standard	3.54	707239-1X	707459X	706917X	706916X	74934-1X	74935-1X	72043-1X
610740-4	Standard	4.10	707239-2X	707459X	706917X	706916X	74934-1X	74935-1X	72043-1X

(7) See Ring Gear & Pinion Kits in XGI Catalog for ratio & tooth combinations.

(8) See Differential Case Assy Kits in XGI Catalog for spline data & ratios.

Ford Model 50 /229 IFS Front Axles Variable Parts Listing

Kits & Parts - Use With All Applications							
Description & Item Number (Refer to "Exploded View" at the front of this section)			Bills of Material				
			610064	610147	610170 610180 610200 610230 610232 610254 610304	610312	610439
1	Slinger Shim – Inner Pinion Bearing	5	30764	30764	30764	—	—
2	Slinger	33	37308	37308	37308	37308	—
3	Oil Seal	34	37311	37311	37311	37311	50381
4	Spacer – Wheel Bearing Spindle	35	37312	37312	37312	37312	—
5	Nut	45	500381-5	500381-5	500381-5	500381-5	500381-5
6	Stop Screw	46	620143-2	620143-2	620143-2	620143-2	620143-2
7	Seal – Needle Bearing	48	620062	620062	620062	620062	44506
8	KIT – Spindle Seal & Bearing	-	700014	700014	700014	700014	708084
9	Seal – Grease	52	37729	37729	37729	37729	37729
10	Thrustwasher – Wheel Bearing	56	33734	—	—	—	—
11	Spindle Nut or Nut & Pin Assembly	57	33732	660568	660568	660568	660568
12	Lockwasher	58	33733	620128	621028	621028	621028
13	Spindle Nut	59	33732	621027	621027	621027	621027
14	KIT – Unit Bearing & Seal	-	700154	700154	706948X	706948X	706948X
15	Oil Seal	71	35938	35938	40773	40773	40773
16	Bearing	72	565909	565909	566121	566121	566121
17	Retainer – Bearing Ring	75	36121	36121	—	—	—
18	Retainer – Oil Seal	76	620435	620435	—	—	—
			610459	610609 610740			
1	Slinger Shim – Inner Pinion Bearing	5	—	—			
2	Slinger	33	—	—			
3	Oil Seal	34	50381	50381			
4	Spacer – Wheel Bearing Spindle	35	—	—			
5	Nut	45	—	—			
6	Stop Screw	46	—	—			
7	Seal – Needle Bearing	48	44506	44506			
8	KIT – Spindle Seal & Bearing	-	708084	708084			
9	Seal – Grease	52	37729	48816			
10	Thrustwasher – Wheel Bearing	56	—	—			
11	Spindle Nut or Nut & Pin Assembly	57	660568	660568			
12	Lockwasher	58	621028	621028			
13	Spindle Nut	59	621027	621027			
14	KIT – Unit Bearing & Seal	-	706948X	706948X			
15	Oil Seal	71	40773	40773			
16	Bearing	72	566121	566121			
17	Retainer – Bearing Ring (NI)	75	—	—			
18	Retainer – Oil Seal (NI)	76	—	—			