

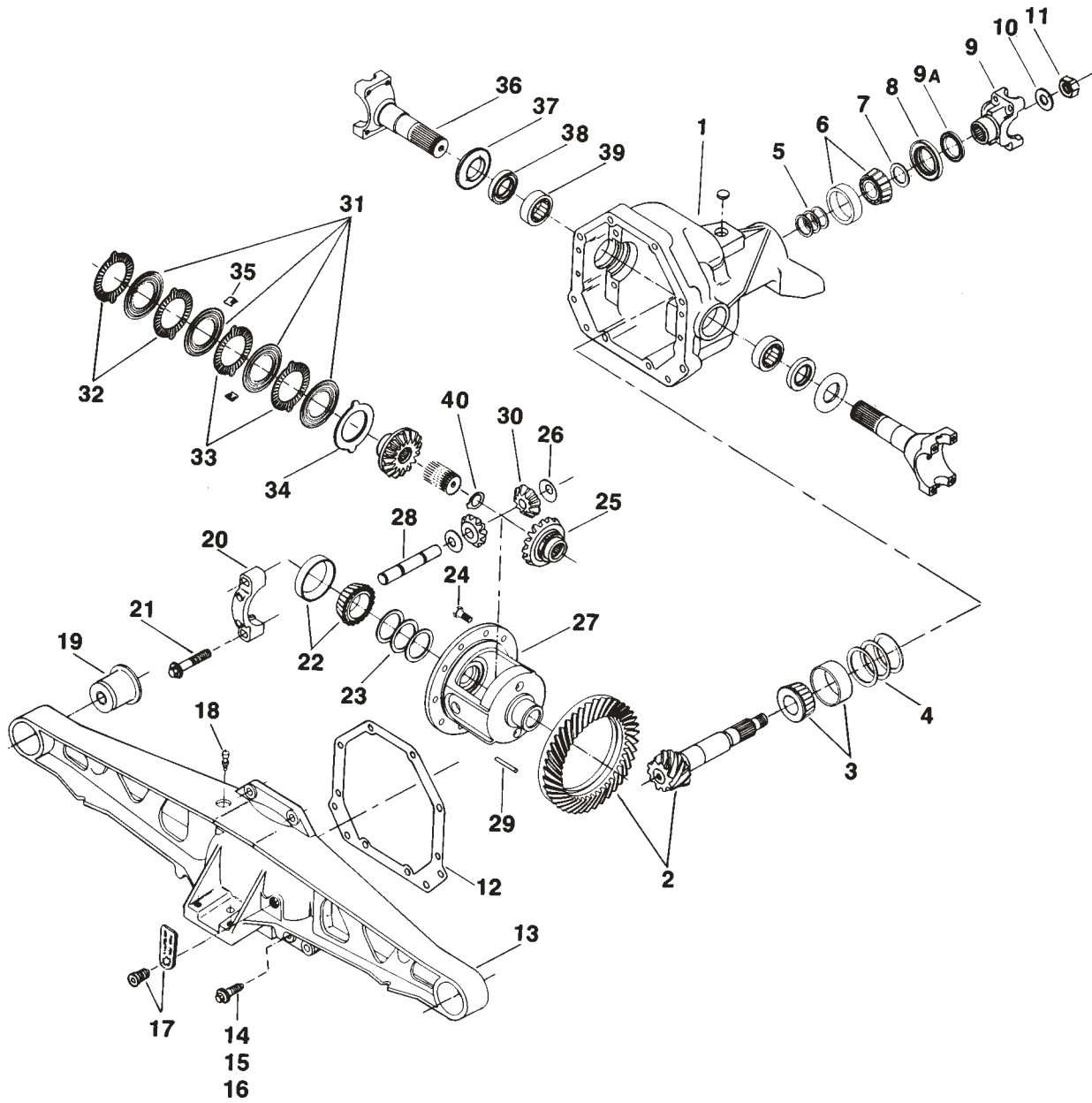
GM / Chevrolet 1980 - 1996 1/2

Model 44 /216 ICA Rear Axles for

Corvette

GM / Chevrolet 44 /216 ICA Rear Axles Exploded View

X510-9



GM / Chevrolet 44 /216 ICA Rear Axles

Parts Listing

| ITEM NO. | PART NUMBER | DESCRIPTION | ITEM NO. | PART NUMBER | DESCRIPTION |
|----------|------------------|----------------------------------|----------|------------------|-------------------------------------|
| 1 | — ⁽³⁾ | Housing – Axle Service | 22 | — ⁽²⁾ | KIT – Differential Bearing |
| 2 | — ⁽¹⁾ | Drive Pinion & Gear Assembly | 23 | 706757X | PKG – Diff & Pinion Bearing Shim |
| 3 | — ⁽²⁾ | KIT – Inner Pinion Bearing | 24 | — ⁽²⁾ | Bolt – Drive Gear (qty 10) |
| 4 | 72922-1X | PKG – Inner Pinion Bearing Shims | 25 | — | Gear – Differential |
| 5 | 72921X | PKG – Outer Pinion Bearing Shims | 26 | 13338-3 | Thrustwasher – Differential Pinion |
| 6 | — ⁽²⁾ | KIT – Outer Pinion Bearing | 27 | — ⁽¹⁾ | Case – Differential |
| 7 | 42737 | Thrustwasher – Bearing | 28 | — ⁽²⁾ | Shaft – Differential |
| 8 | — ⁽²⁾ | Seal – Pinion Oil | 29 | 13449 | Lock – Differential Shaft |
| 9 | — ⁽²⁾ | End Yoke or Assembly (inc 9A) | 30 | — ⁽²⁾ | Pinion – Differential |
| 9A | — ⁽²⁾ | Slinger – End Yoke | | 707018X | KIT – Differential Plate & Disc |
| 10 | 30275 | Washer – Pinion Nut | | | (inc items 31, 32, 33, 34, 35) |
| 11 | 30271 | Pinion Nut | 31 | — ⁽⁴⁾ | Disc – Differential |
| 12 | 38615 | RTV Silicone Sealant | 32 | — ⁽⁴⁾ | Plate – Differential |
| 13 | — ⁽³⁾ | Arm – Carrier Cover Support | 33 | — ⁽⁴⁾ | Plate – Differential |
| 14 | 40326-2 | Screw – Carrier Cover (qty 5) | 34 | — ⁽⁴⁾ | Spacer – Dished |
| 15 | 43507 | Nut – Carrier Cover (qty 2) | 35 | 40835 | Clip – Differential Clutch Retainer |
| 16 | 44539 | Bolt – Carrier Cover (qty 2) | 36 | — ⁽¹⁾ | Shaft – Inner Yoke |
| 17 | 39527 | Fill Plug | 37 | 41218 | Shield – Stone |
| 18 | 40750 | Breather Vent | 38 | — ⁽²⁾ | Oil Seal |
| 19 | — | Bushing – Carrier Cover | 39 | 566002 | Bearing – Inner Yoke Shaft |
| 20 | — ⁽³⁾ | Differential Bearing Cap | 40 | — ⁽⁴⁾ | Snap Ring |
| 21 | 41212 | Bolt – Differential Bearing Cap | | | |

(1) See "Bill of Material Table" on next page

(2) See "Variable Parts Table" below

(3) Contact Vehicle Manufacturer

(4) Not Sold Separately

Variable Parts Listing

| Kits & Parts - Use With All Applications | | | | | | | |
|---|-------------------------------|----|-------------------|-------------|----------------------------|------------------|--|
| Description & Item Number (Refer to "Exploded View" on the previous page) | | | Bills of Material | | | | |
| | | | 603967 | 605062 | 605220 605322 605417 | 605491 605492 | |
| 1 | KIT – Inner Pinion Bearing | 3 | 706015X | 706015X | 706996X | 706996X | |
| 2 | KIT – Outer Pinion Bearing | 6 | 706014X | 706014X | 706123X | 706123X | |
| 3 | Seal – Pinion Oil | 8 | 39118 | 39118 | 42449 | 42449 | |
| 4 | End Yoke or Assembly (inc 9A) | 9 | 2-4-8091-1X | 2-4-8091-1X | 2-4-6541-1 | 2-4-6541-1 | |
| 5 | Slinger – End Yoke | 9A | 15099 | 15099 | 42501 | 42501 | |
| 6 | KIT – Differential Bearing | 22 | 706110X | 706110X | 706988X | 706988X | |
| 7 | Bolt – Drive Gear (qty 10) | 24 | 40164 | 40164 | 41221 | 41221 | |
| 8 | Shaft – Differential | 28 | 35659 | 35659 | 41219 | 41219 | |
| 9 | Pinion – Differential | 30 | 32808 | 32808 | 32808 | 44010 | |
| 10 | Oil Seal | 38 | 39590 | 41220 | 41220 | 41220 | |

GM / Chevrolet 44 /216 ICA Rear Axles

Bill of Material Table

| Axle | | | Axle Kits | | | | Shaft & Joint Assy. | |
|-----------------------------|------------|-------|---------------------------------------|-------------------------------|-----------------------|-----------------|------------------------|-----------------------|
| Bill of Material | Diff. Type | Ratio | Ring Gear & Pinion Kit ⁽⁷⁾ | Differential | | | Right Hand Shaft Assy. | Left Hand Shaft Assy. |
| | | | | Case Assy. Kit ⁽⁸⁾ | Case Kit | Inner Parts Kit | | |
| 1980 Corvette | | | | | | | | |
| 603967-1 | Trac Lok | 3.54 | 706755-2X | 706752X | 706753X | 706754X | 70987-2X | 70987-1X |
| 603967-2 | Trac Lok | 3.31 | 706755-1X | 706752X | 706753X | 706754X | 71090-2X | 71090-1X |
| 603967-3 | Trac Lok | 3.73 | 706755-3X | 706752X | 706753X | 706754X | 70987-2X | 70987-1X |
| 603967-4 | Trac Lok | 2.72 | 706755-8X | 706752X | 706753X | 706754X | 71090-2X | 71090-1X |
| 603967-5 | Trac Lok | 3.31 | 706755-1X | 706752X | 706753X | 706754X | 71090-2X | 71090-1X |
| 603967-6 | Trac Lok | 3.07 | 706755-4X | 706752X | 706753X | 706754X | 71090-2X | 71090-1X |
| 603967-7 | Trac Lok | 3.07 | 706755-4X | 706752X | 706753X | 706754X | 71090-2X | 71090-1X |
| 603967-8 | Trac Lok | 3.54 | 706755-2X | 706752X | 706753X | 706754X | 70987-2X | 70987-1X |
| 603967-9 | Trac Lok | 3.23 | 706755-6X | 706752X | 706753X | 706754X | 70987-2X | 70987-1X |
| 603967-10 | Trac Lok | 3.23 | 706755-6X | 706752X | 706753X | 706754X | 70987-2X | 70987-1X |
| 603967-11 | Trac Lok | 2.72 | 706755-8X | 706752X | 706753X | 706754X | 71090-2X | 71090-1X |
| 603967-12 | Trac Lok | 3.73 | 706755-3X | 706752X | 706753X | 706754X | 70987-2X | 70987-1X |
| 603967-13 | Trac Lok | 2.87 | 706755-9X | 706752X | 706753X | 706754X | 71090-2X | 71090-1X |
| 603967-14 | Trac Lok | 2.87 | 706755-9X | 706752X | 706753X | 706754X | 71090-2X | 71090-1X |
| 1981-83 Corvette | | | | | | | | |
| 605062-1 | Trac Lok | 2.72 | 706755-8X | 706752X | 706753X | 706754X | 71090-2X | 71090-1X |
| 605062-2 | Trac Lok | 2.87 | 706755-9X | 706752X | 706753X | 706754X | 70987-2X | 70987-1X |
| 605062-3 | Trac Lok | 2.72 | 706755-8X | 706752X | 706753X | 706754X | 70987-2X | 70987-1X |
| 605062-4 | Trac Lok | 2.72 | 706755-8X | 706752X | 706753X | 706754X | 70987-2X | 70987-1X |
| 605062-5 | Trac Lok | 2.72 | 706755-8X | 706752X | 706753X | 706754X | 71090-2X | 71090-1X |
| 605062-6 | Trac Lok | 2.87 | 706755-9X | 706752X | 706753X | 706754X | 71090-2X | 71090-1X |
| 605062-7 | Trac Lok | 2.87 | 706755-9X | 706752X | 706753X | 706754X | 71090-2X | 71090-1X |
| 605062-8 | Trac Lok | 3.07 | 706755-4X | 706752X | 706753X | 706754X | 70987-2X | 70987-1X |
| 1985-87 Corvette | | | | | | | | |
| 605220-1 | Trac Lok | 2.72 | 72622-5X ⁽⁹⁾ | 72400X ⁽¹⁰⁾ | 41210 ⁽¹¹⁾ | 707225X | 72404-1X | 72404-2X |
| 605220-2 | Trac Lok | 3.07 | 72719-5X ⁽⁹⁾ | 74229X ⁽¹⁰⁾ | 41232 ⁽¹¹⁾ | 707225X | 72404-1X | 72404-2X |
| 605220-3 | Trac Lok | 3.31 | 72602-5X ⁽⁹⁾ | 74229X ⁽¹⁰⁾ | 41232 ⁽¹¹⁾ | 707225X | 72404-1X | 72404-2X |
| 605220-6 | Trac Lok | 2.87 | 72686-5X ⁽⁹⁾ | 72400X ⁽¹⁰⁾ | 41210 ⁽¹¹⁾ | 707225X | 72404-1X | 72404-2X |
| 605220-7 | Trac Lok | 3.07 | 72719-5X ⁽⁹⁾ | 74229X ⁽¹⁰⁾ | 41232 ⁽¹¹⁾ | 707225X | 72404-1X | 72404-2X |
| 1989 1/2-90 Corvette | | | | | | | | |
| 605322-5 | Trac Lok | 3.33 | 73919-5X ⁽⁹⁾ | 74229X ⁽¹⁰⁾ | 41232 ⁽¹¹⁾ | 707225X | 72404-1X | 72404-2X |
| 605322-7 | Trac Lok | 3.54 | 73134-5X ⁽⁹⁾ | 74229X ⁽¹⁰⁾ | 41232 ⁽¹¹⁾ | 707225X | 72404-1X | 72404-2X |
| 605322-9 | Trac Lok | 3.45 | 75518-5X ⁽⁹⁾ | 74229X ⁽¹⁰⁾ | 41232 ⁽¹¹⁾ | 707225X | 72404-1X | 72404-2X |
| 1990-90 1/2 Corvette | | | | | | | | |
| 605417-4 | Trac Lok | 3.54 | 73134-5X ⁽⁹⁾ | 72405X ⁽¹⁰⁾ | 41232 ⁽¹¹⁾ | 707225X | 72404-1X | 72404-2X |
| 1990-96 1/2 Corvette | | | | | | | | |
| 605491-2 | Trac Lok | 3.33 | 73919-5X ⁽⁹⁾ | 74229X ⁽¹⁰⁾ | 41232 ⁽¹¹⁾ | 707225X | 72404-1X | 72404-2X |
| 605491-3 | Trac Lok | 3.45 | 75518-5X ⁽⁹⁾ | 74229X ⁽¹⁰⁾ | 41232 ⁽¹¹⁾ | 707225X | 72404-1X | 72404-2X |
| 605491-4 | Trac Lok | 3.54 | 73134-5X ⁽⁹⁾ | 74229X ⁽¹⁰⁾ | 41232 ⁽¹¹⁾ | 707225X | 72404-1X | 72404-2X |
| 605491-6 | Trac Lok | 3.33 | 73919-5X ⁽⁹⁾ | 74229X ⁽¹⁰⁾ | 41232 ⁽¹¹⁾ | 707225X | 72404-1X | 72404-2X |
| 1990 1/2 Corvette | | | | | | | | |
| 605492-1 | Trac Lok | 3.54 | 73134-5X ⁽⁹⁾ | 74229X ⁽¹⁰⁾ | 41232 ⁽¹¹⁾ | 707225X | 72404-1X | 72404-2X |
| | | | | | | | | |

(7) See Ring Gear & Pinion Kits in XGI Catalog for ratio & tooth combinations.
 (8) See Differential Case Assy Kits in XGI Catalog for spline data & ratios.
 (9) This kit includes ring gear, pinion, nut, washer and drive gear screws.
 (10) This case assembly does not include shims, bearings or drive gear screws.
 (11) This is a bare case.